

*Israeli Air Force*

# AH-64DI Saraf

*For Takom and Meng kits*



113 Squadron



Photo: Amit Agronov - IAF Magazine ©

# IsraDecal

THE COMPLETE SCALE MODELLING EXPERIENCE

GOING GREEN

DOWNLOAD INSTRUCTIONS

Also available from our website:  
[www.isradecal.com/instructions](http://www.isradecal.com/instructions)

**IsraDecal**   
STUDIO

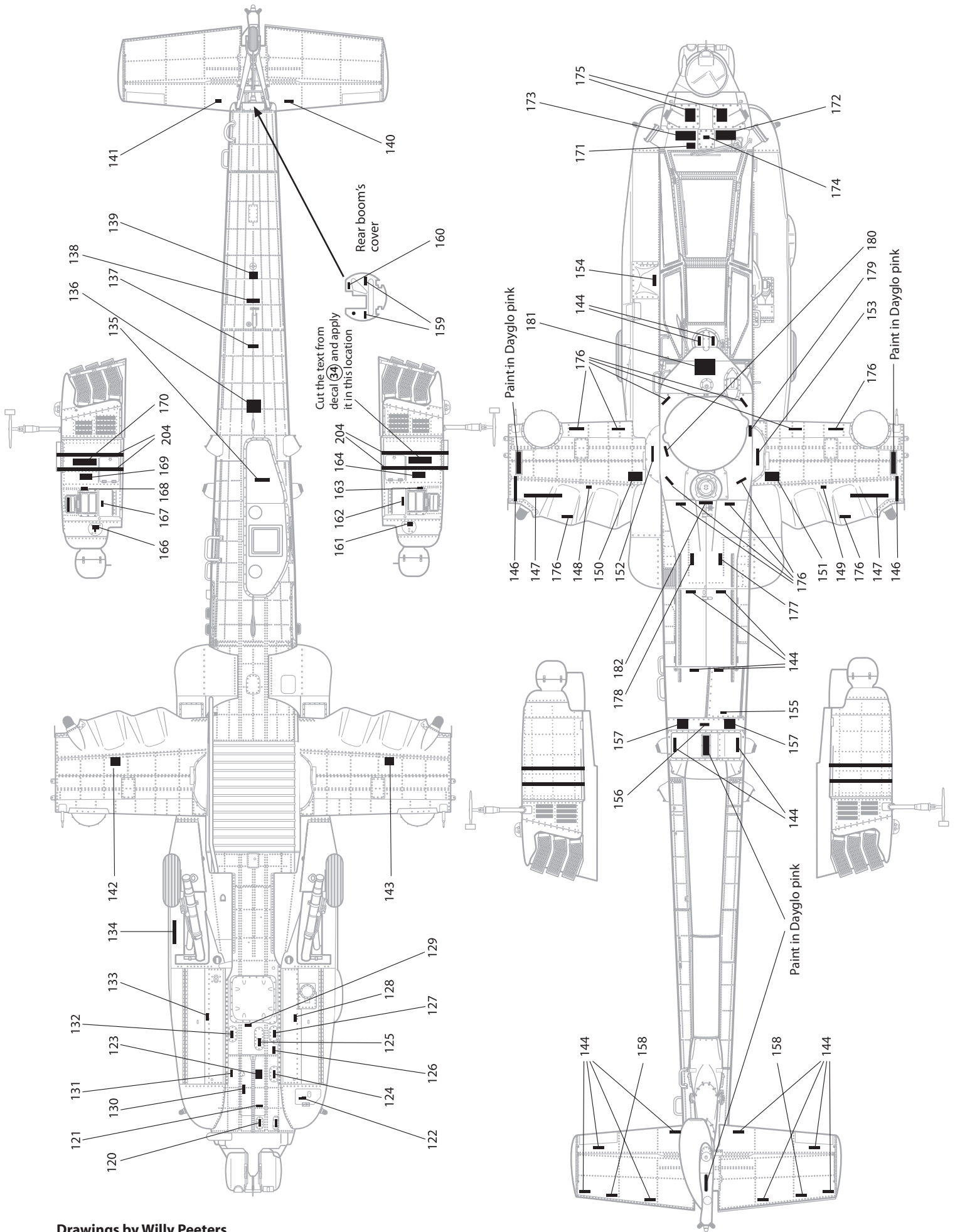
[www.isradecal.com](http://www.isradecal.com)

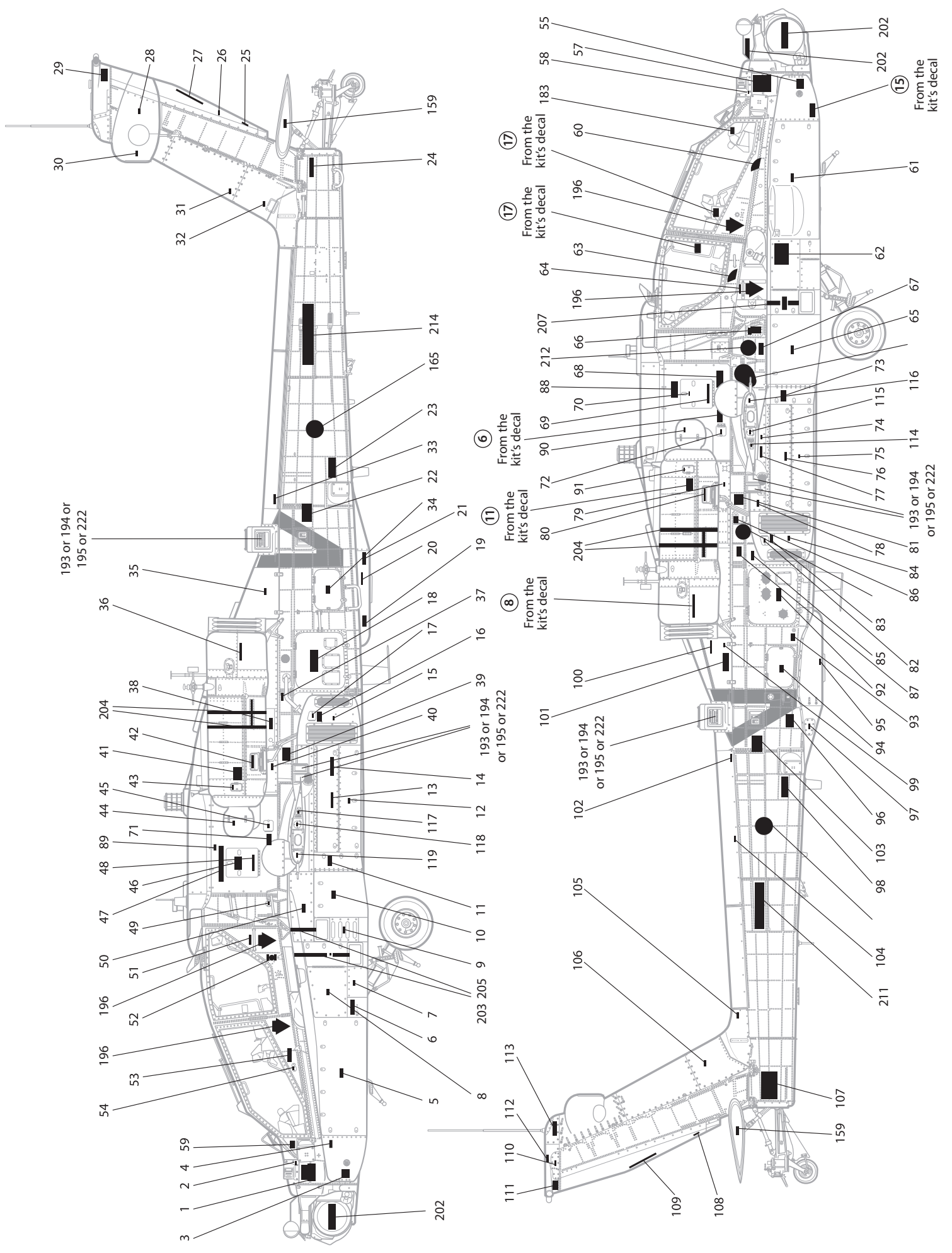












193 or 194 or  
195 or 222

29  
30

3  
1  
2  
4  
59

54  
196  
52  
53  
51  
196  
50  
49  
47  
48  
89  
44  
45  
41  
204  
42  
43  
71  
46  
49  
38  
36  
35  
38  
35  
36  
37  
38  
39  
40  
41  
42  
43  
44  
45  
46  
47  
48  
49  
50  
51  
52  
53  
54  
59  
1  
2  
4  
5  
6  
7  
8  
11  
10  
9  
203  
205  
118  
119  
117  
13  
14  
12  
11  
10  
39  
16  
17  
15  
18  
20  
21  
19  
37  
36  
35  
34  
22  
33  
23  
165  
214  
24  
159

111  
110  
112  
113  
109  
108  
159  
107  
202  
104  
211  
106  
105  
102  
193 or 194  
or 195 or 222  
101  
100  
86  
84  
81  
193 or 194  
or 195 or 222  
88  
89  
90  
91  
92  
93  
94  
95  
96  
97  
98  
103  
96  
83  
82  
87  
82  
85  
83  
78  
77  
76  
75  
74  
115  
116  
73  
65  
67  
62  
61  
60  
196  
64  
63  
66  
207  
196  
68  
70  
88  
212  
64  
63  
57  
58  
183  
55  
202  
202  
15  
From the kit's decal  
From the kit's decal  
From the kit's decal  
From the kit's decal  
From the kit's decal



# Painting Guide

Decal #206 on aircraft number 789

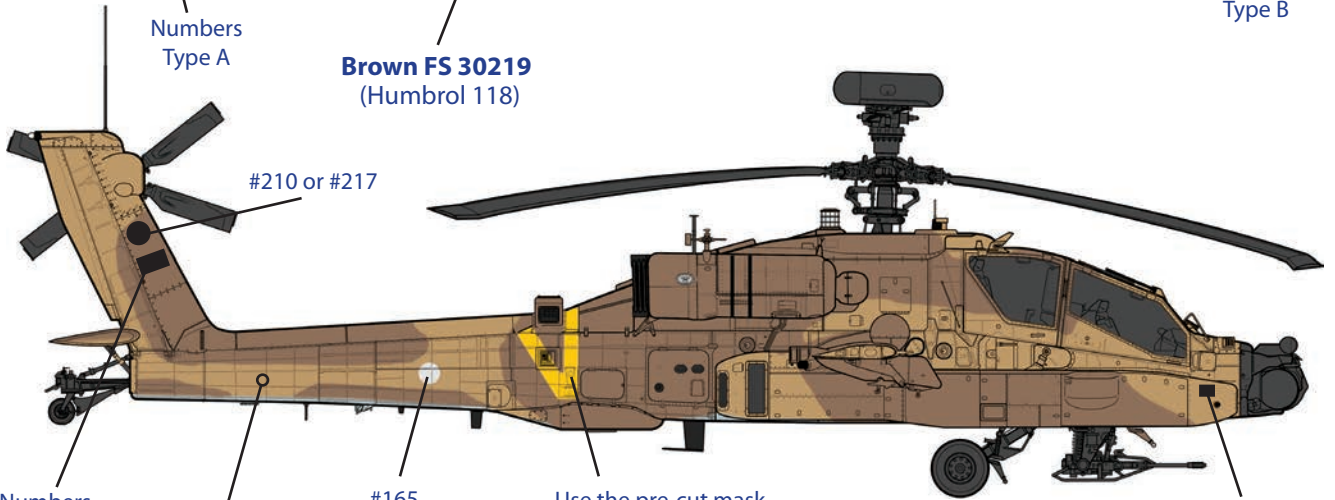
#210 or #217



Numbers Type A

**Brown FS 30219**  
(Humbrol 118)

Numbers Type B



Numbers Type B

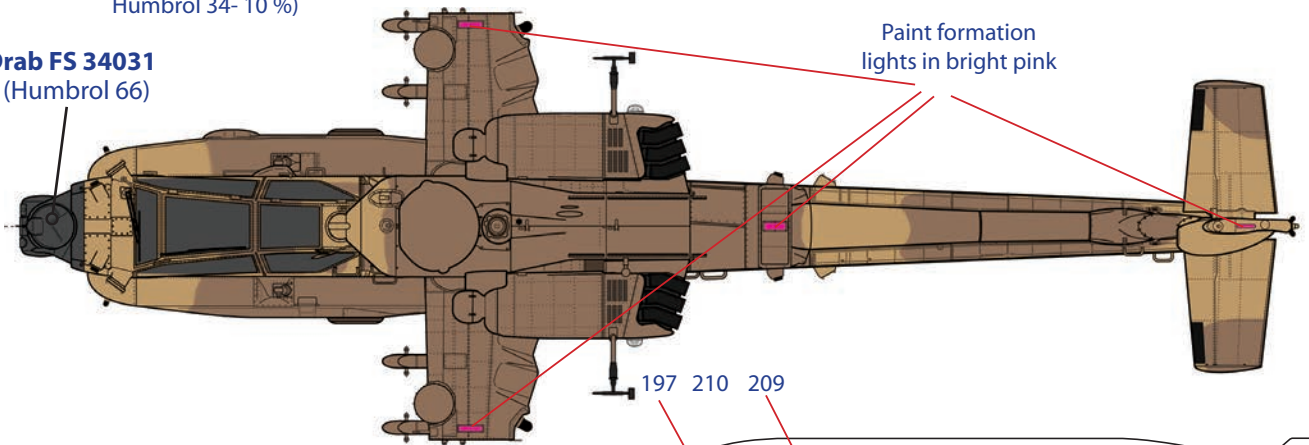
**Sand FS 33448**  
(Humbrol 94 - 90%+  
Humbrol 34- 10 %)

Use the pre-cut masking and paint in Yellow FS 33538 (Humbrol 154)

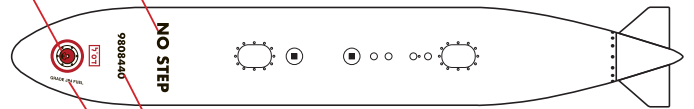
Numbers Type A

**Drab FS 34031**  
(Humbrol 66)

Paint formation lights in bright pink



**Grey FS 36492**  
(Humbrol 166)



216 119 or 200

**Black**

